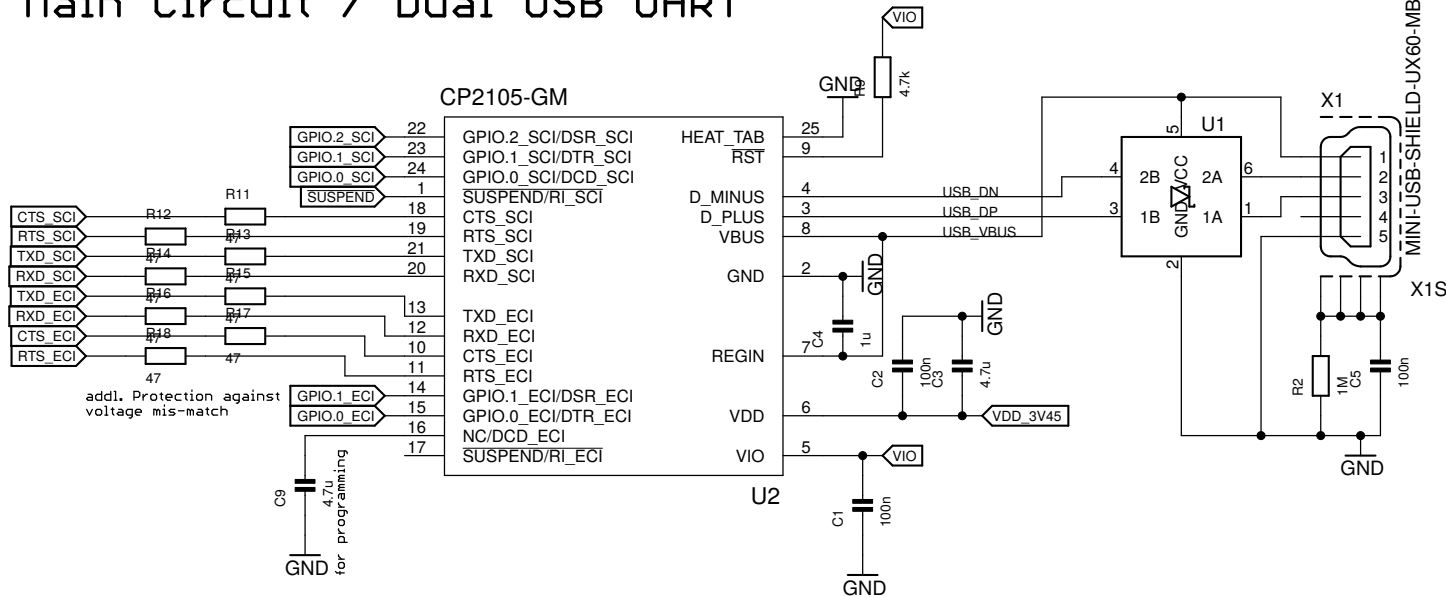
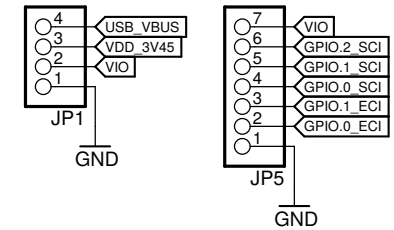


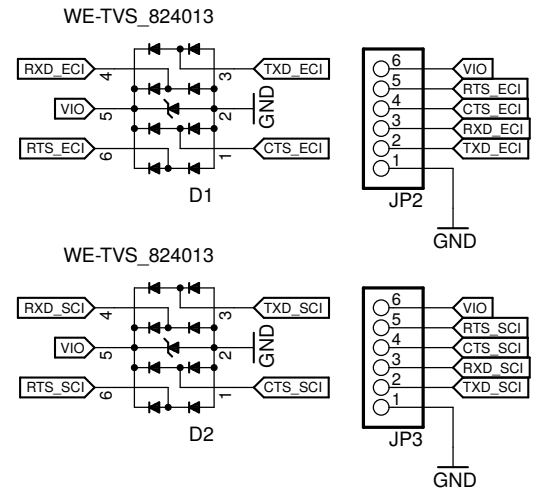
Main Circuit / Dual USB UART



Voltage + GPIO Headers

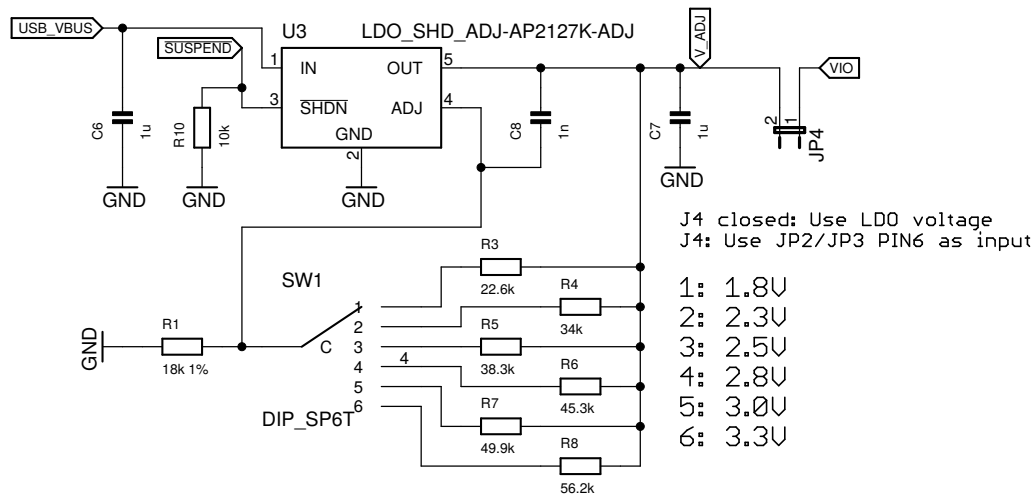


UART Headers



JP2/JP3 Pin 6 is either input (JP4 open) or output (JP4 closed)

Power Supply



Multi-Voltage UART

TITLE: mv-uart

Document Number: (C) 2016 Harald Welte
CC-BY-SA

REV:
v1

Date: 28.10.16 15:55

Sheet: 1/1